

Rut Wrecker

Windage Adjustment (Left/Right)

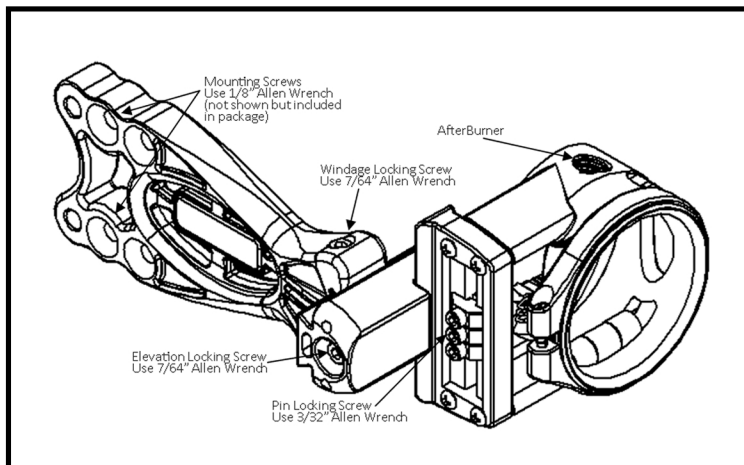
- 1) Loosen the "windage locking screw" to move the head left or right
- 2) Always retighten the "windage locking screw" prior to shooting (do not over tighten.)

Elevation Adjustment (up/down)

- 1) Loosen the "elevation locking screw" to move the head up or down along the elevation dovetail.
- 2) Always retighten the "elevation locking" screw prior to shooting (do not over tighten.)

Individual Pin Elevation Adjustment

- 1) Loosen the "pin locking screw" on the pin you wish to move. Slide the pin up or down as desired.
- 2) Always retighten the "pin locking screw" prior to shooting (do not over tighten.)



TECHNOLOGY BY
**COPPER
JOHN**